



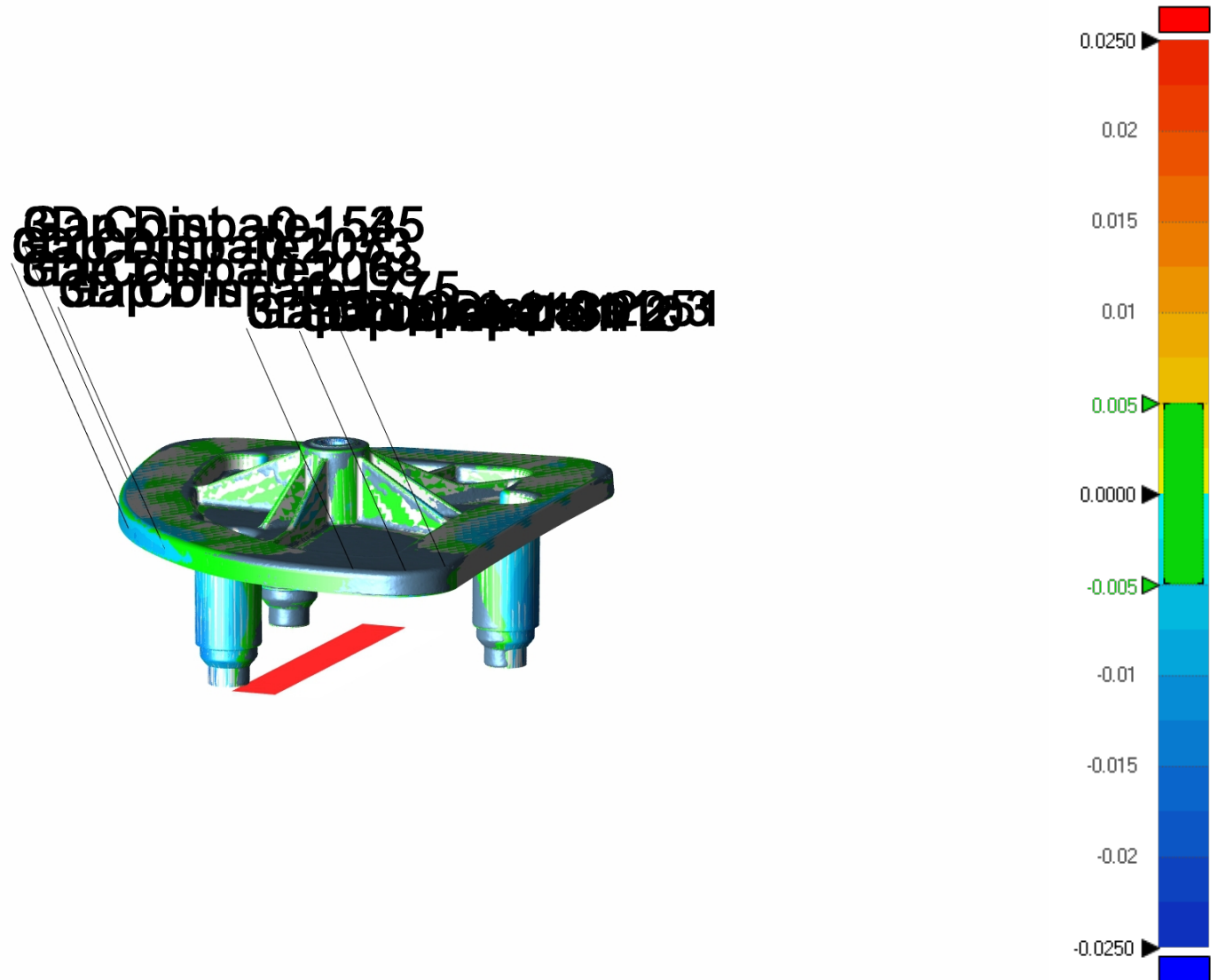
Touchstone Measurement Services LLC

2529 Commerce Dr, Ste F, Kokomo IN 46902

Customer	Touchstone Measurement
Part Name	Website Example
Part Number	E-001
Part	Part 1
Inspector	Lab Technician
Date	Nov 30, 2017
Unit	in.

Disclaimer

The results of this analysis and forecastings are believed to be reliable but are not to be construed as providing a warranty, including any warranty of merchantability or fitness for purpose, or representation for which Touchstone Measurement Services assumes legal responsibility. Users should undertake sufficient verification and iterative testing to determine the suitability of any information presented. Nothing herein is to be taken as permission, inducement or recommendation by Touchstone Measurement Services to practice any patented invention without a license or to in any way infringe upon the intellectual property rights of any other party.

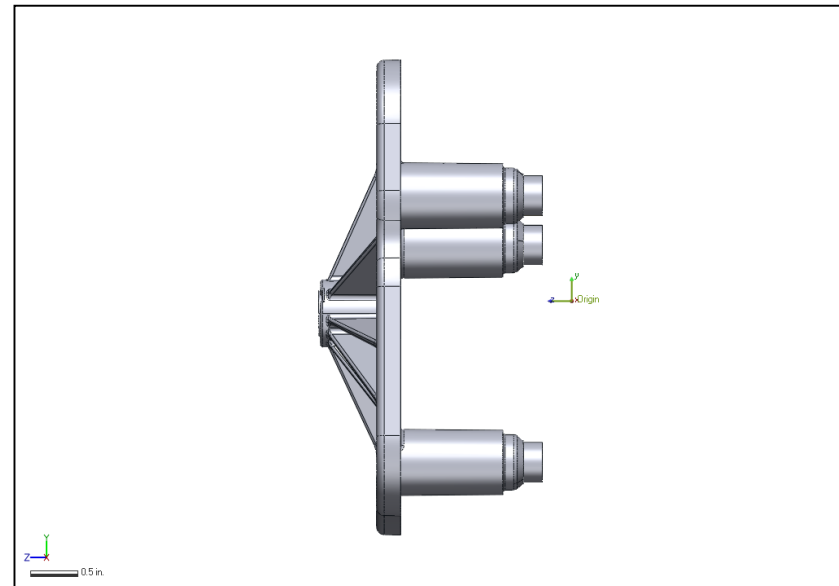
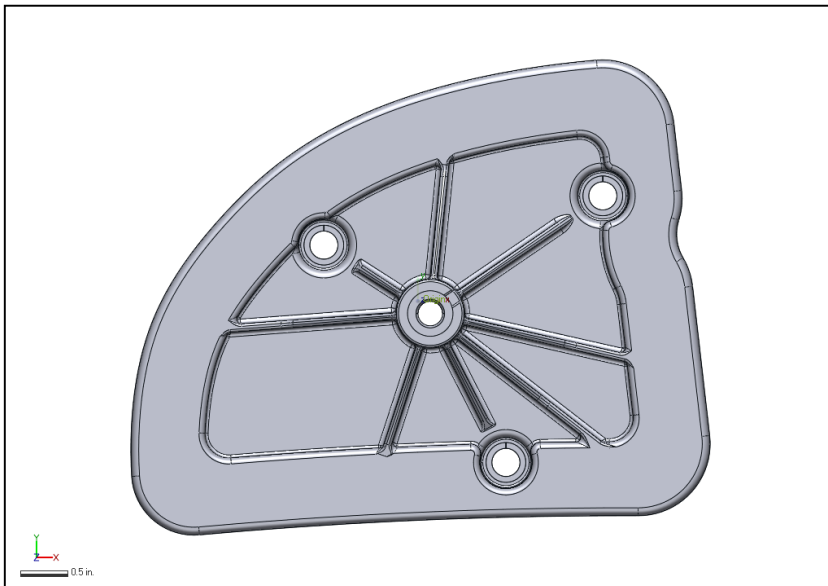
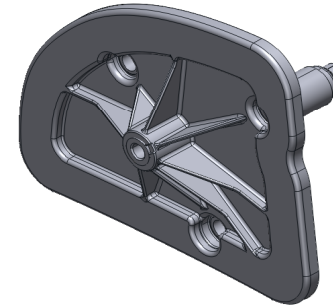
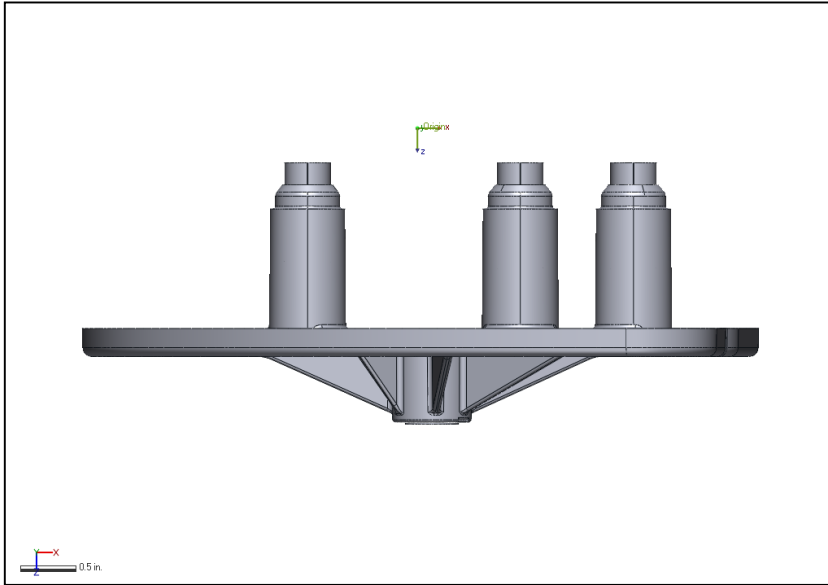


Customer	Touchstone Measurement
Part Name	Example 1

Part	Part 1
Inspector	Lab Technician

Date	Nov 30, 2017
Unit	in.

Result Data - 1 : Reference Data -

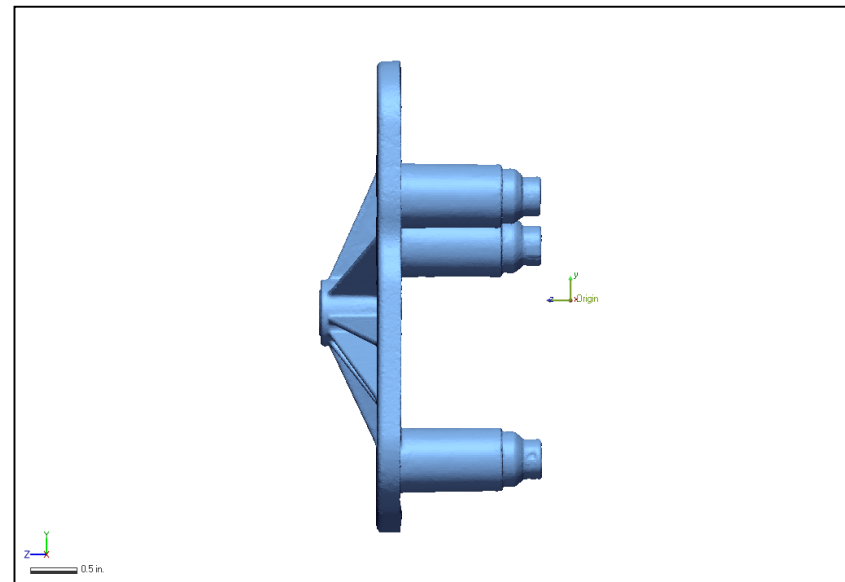
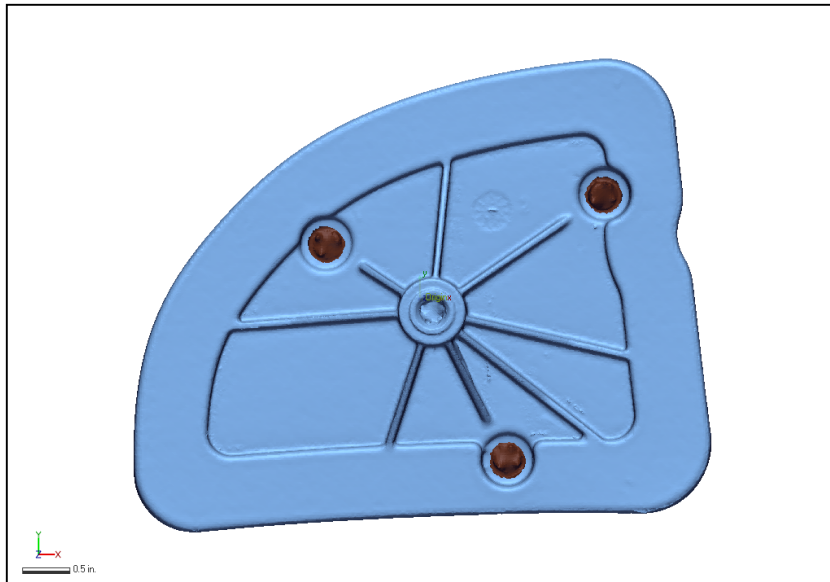
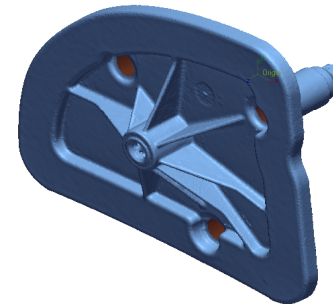
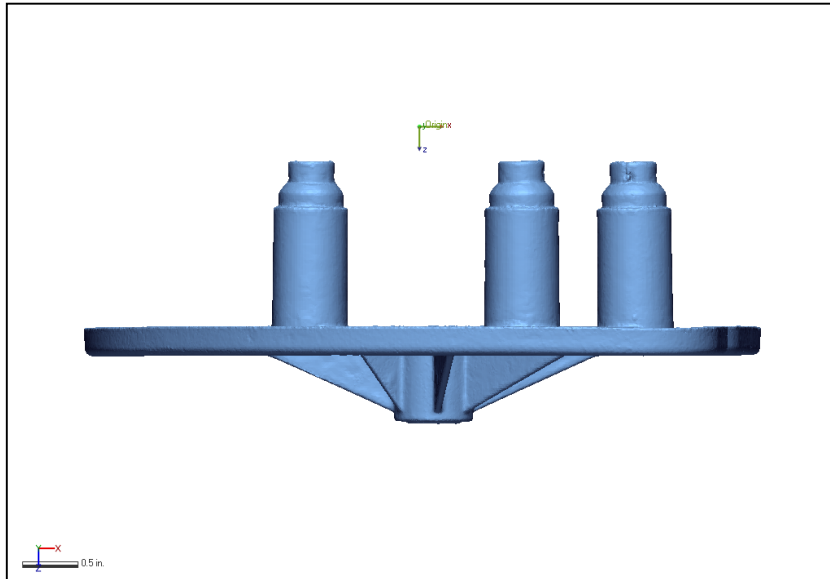


Customer	Touchstone Measurement
Part Name	Example 1

Part	Part 1
Inspector	Lab Technician

Date	Nov 30, 2017
Unit	in.

Result Data - 1 : Measured Data -

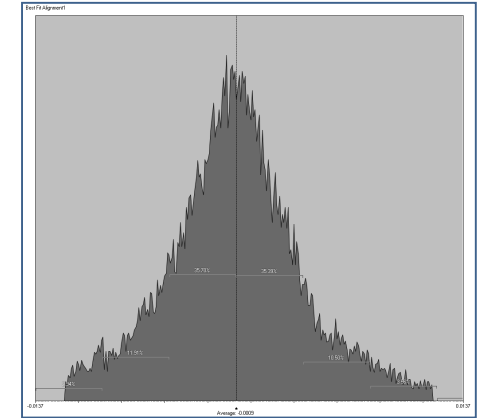
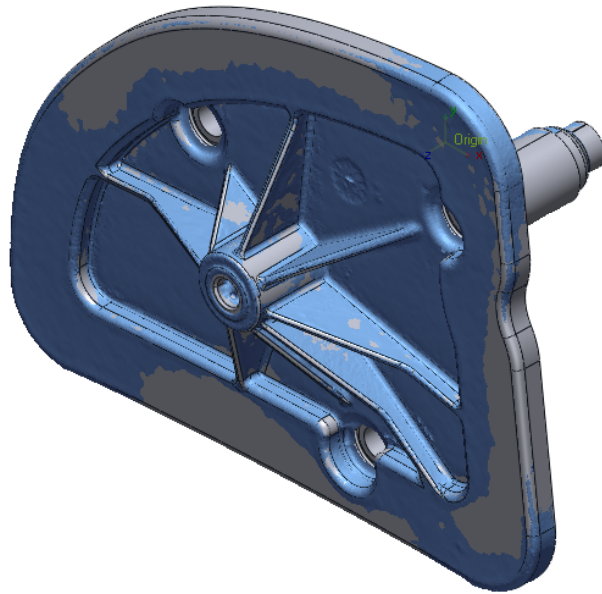


Customer	Touchstone Measurement
Part Name	Example 1

Part	Part 1
Inspector	Lab Technician

Date	Nov 30, 2017
Unit	in.

Result Data - 1 : Best Fit Alignment1



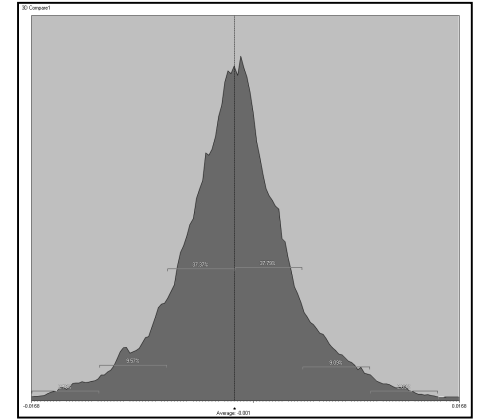
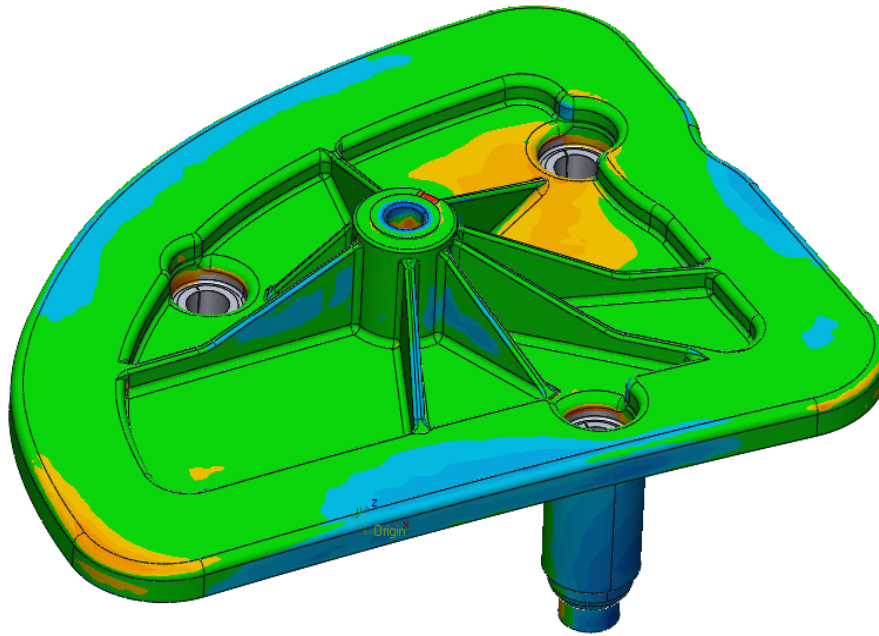
Min.	-0.0117
Max.	0.0117
Avg.	-0.0009
RMS	0.0044
Std. Dev.	0.0043
Var.	0.0005
+Avg.	0.0032
-Avg.	-0.0035

Customer	Touchstone Measurement
Part Name	Example 1

Part	Part 1
Inspector	Lab Technician

Date	Nov 30, 2017
Unit	in.

Result Data - 1 : 3D Compare1



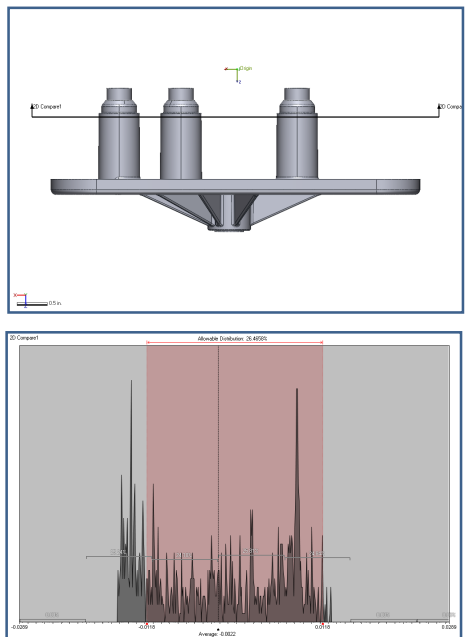
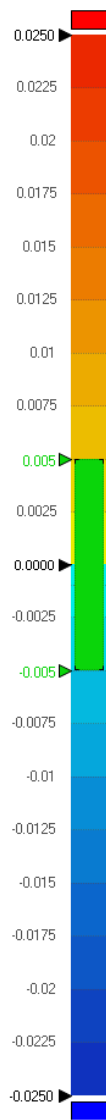
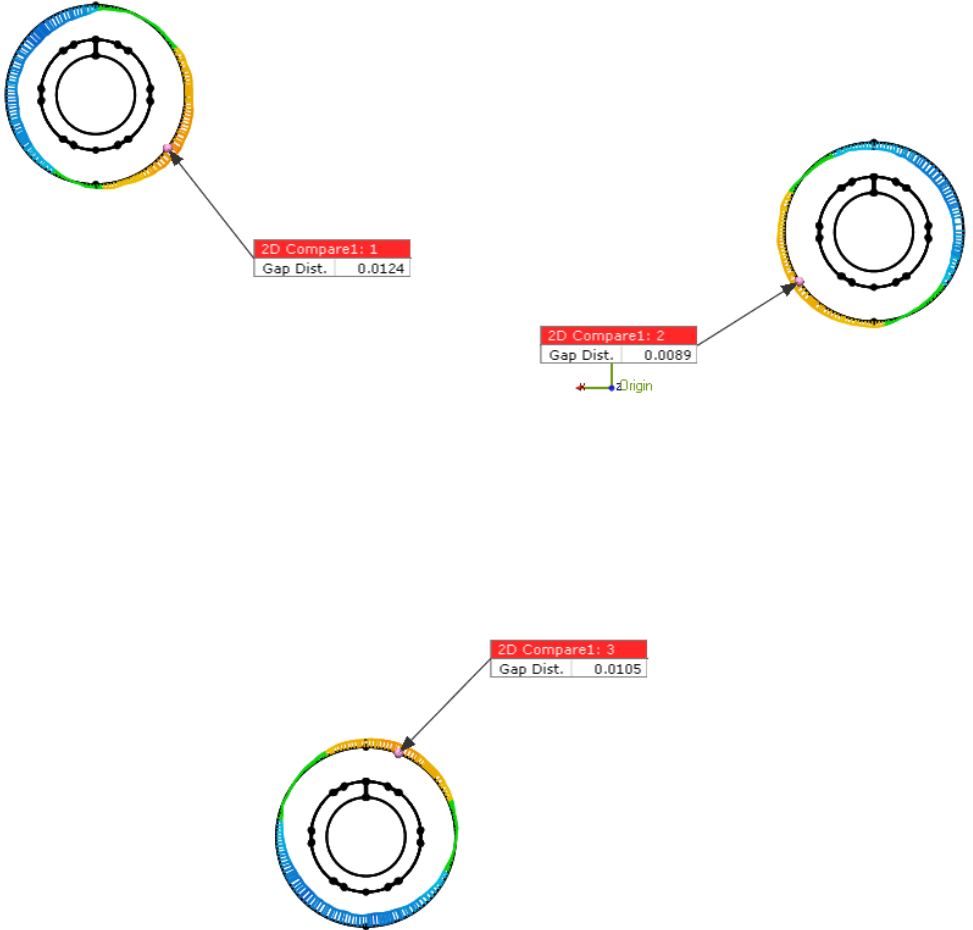
Min.	-0.0313
Max.	0.0316
Avg.	-0.001
RMS	0.0054
Std. Dev.	0.0053
Var.	0.0007
+Avg.	0.0037
-Avg.	-0.004
In Tol.(%)	72.5274
Out Tol.(%)	27.4726
Over Tol.(%)	10.1083
Under Tol.(%)	17.3644

Customer	Touchstone Measurement
Part Name	Example 1

Part	Part 1
Inspector	Lab Technician

Date	Nov 30, 2017
Unit	in.

Result Data - 1 : 2D Compare1

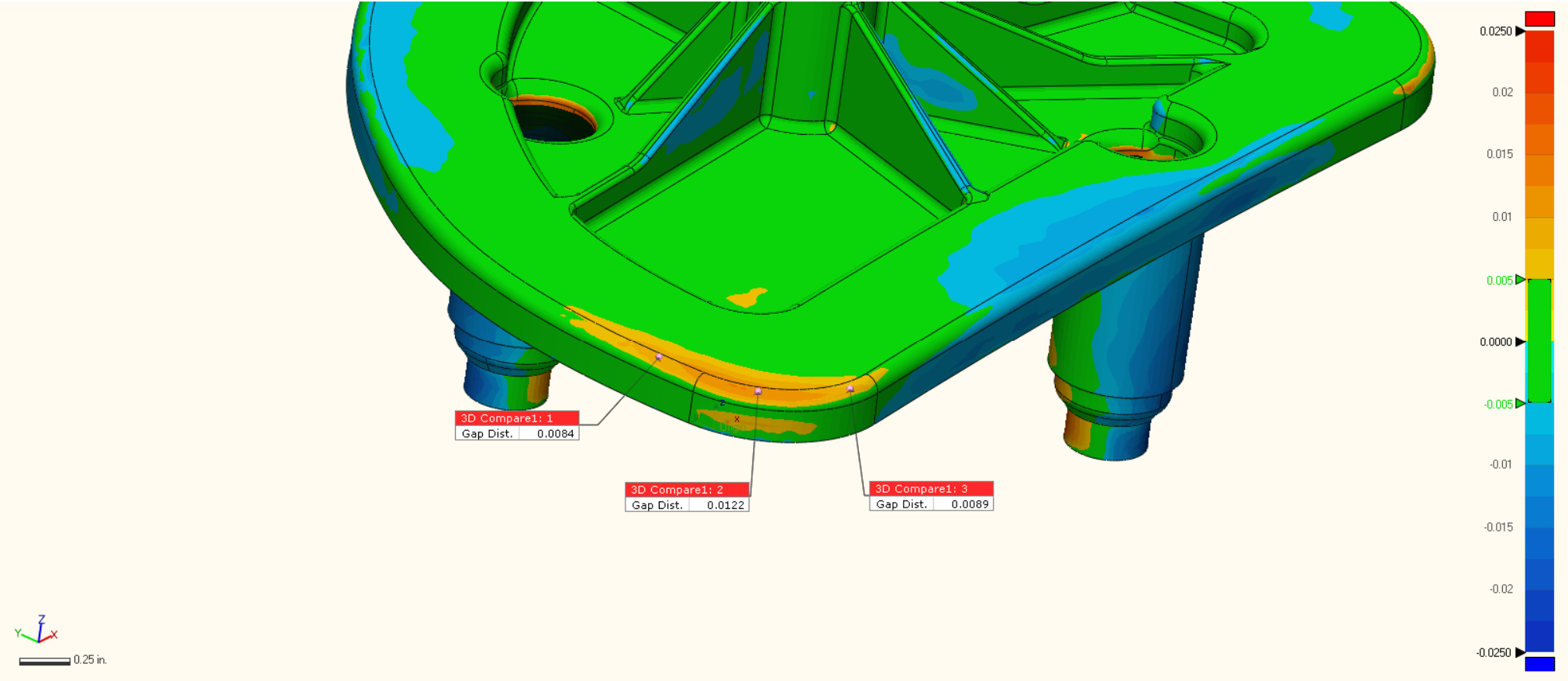


Customer	Touchstone Measurement
Part Name	Example 1

Part	Part 1
Inspector	Lab Technician

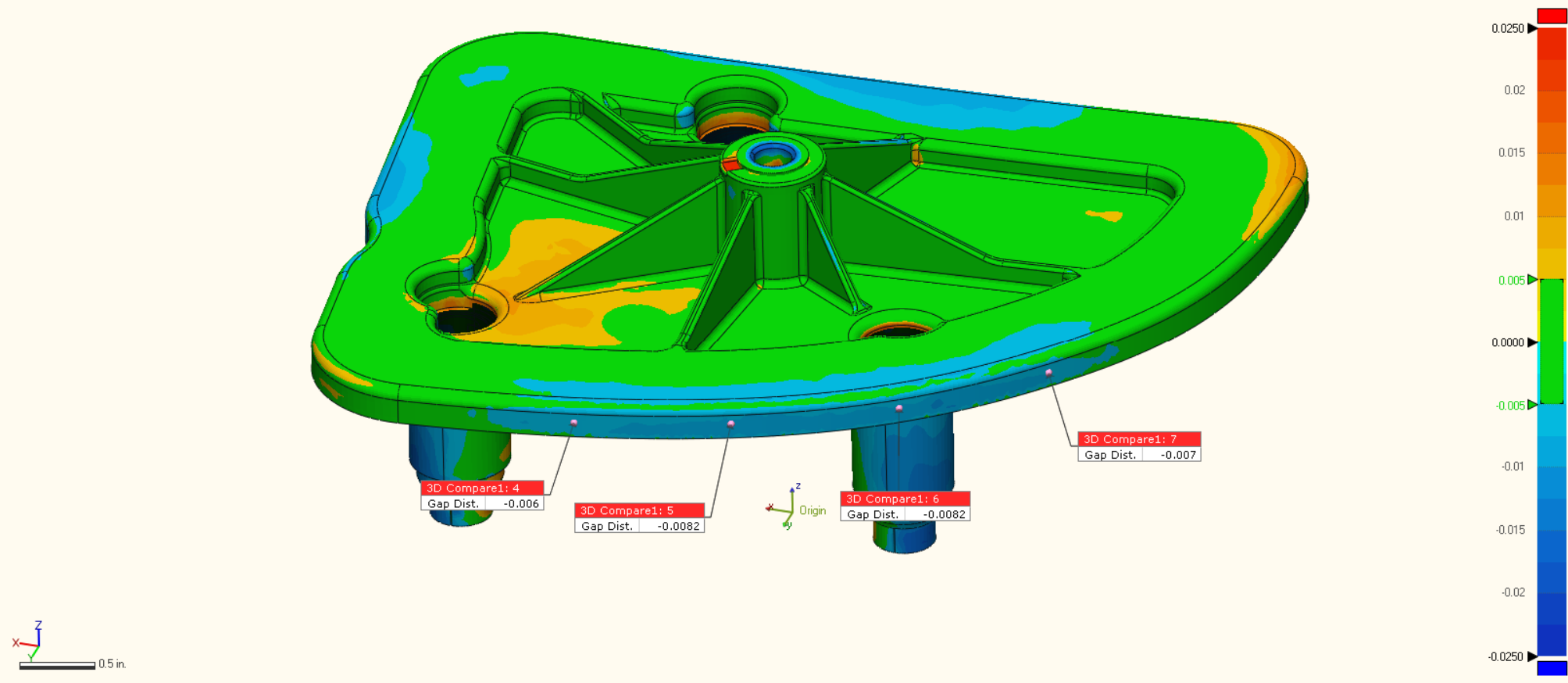
Date	Nov 30, 2017
Unit	in.

Result Data - 1 : Custom View1



Customer	Touchstone Measurement	Part	Part 1	Date	Nov 30, 2017
Part Name	Example 1	Inspector	Lab Technician	Unit	in.

Result Data - 1 : Custom View2



Customer	Touchstone Measurement	Part	Part 1	Date	Nov 30, 2017
Part Name	Example 1	Inspector	Lab Technician	Unit	in.